



How to install a Gateway

Installation procedure

Code FE-004
Owner Fablab

Versions

Version	Date	Author	Modifications
V1.0	29/03/2023	AAU	Rédaction initiale
V1.1	25/07/2023	GDU	Ajout de la partie scotch antenne
V1.1	09/04/2024	MLM	Homogénéisation des documents
V1.1	30/04/2024	JTR	English version

Summary

1. WHAT IS INCLUDED	2
2. GET STARTED	2
3. INSTALLATION	4
4. POWERING THE GATEWAY	6

A LoRaWAN gateway serves as a bridge between IoT sensor and the Datatys Platform by providing a LoRaWAN coverage of the area to be monitored. It receives LoraWan transmissions from the end-devices, typically over long distances, and forwards the data to the network server on the cloud.

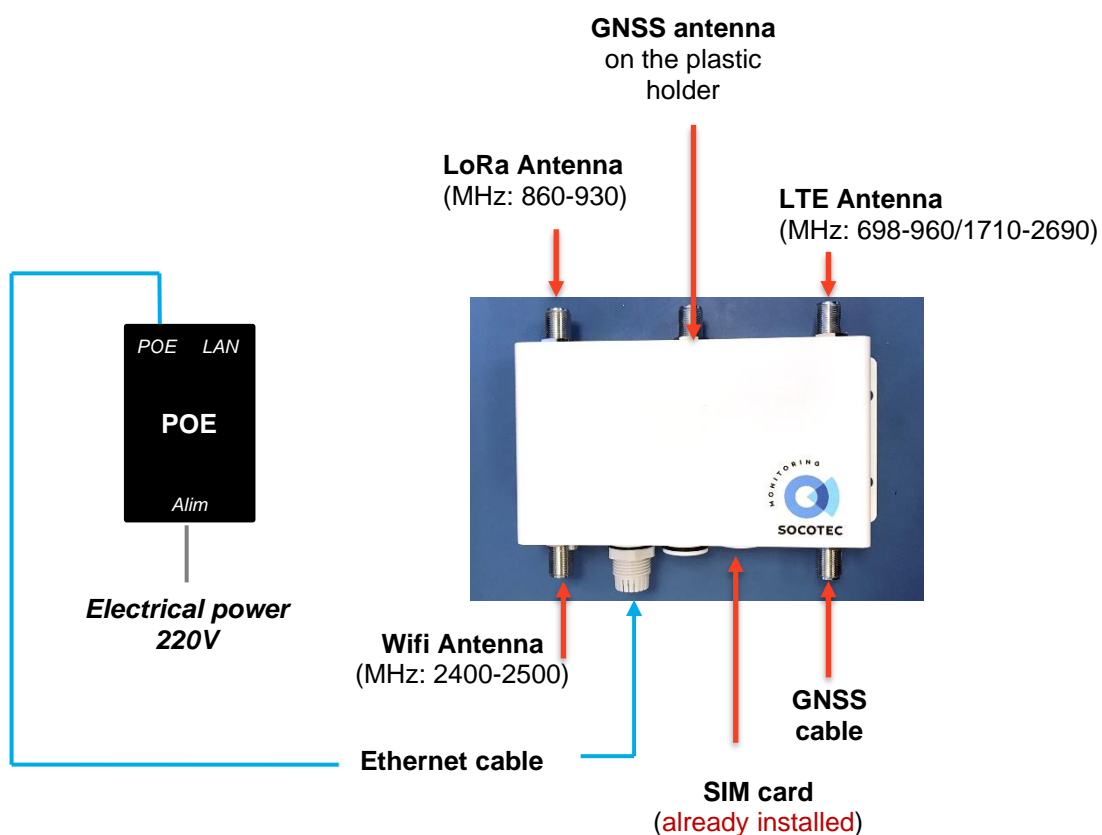
1. WHAT IS INCLUDED

The Gateway comes with 4 antennas and one PoE injector for powering the device.



2. GET STARTED

- Please mount all elements described here:



- See this example :

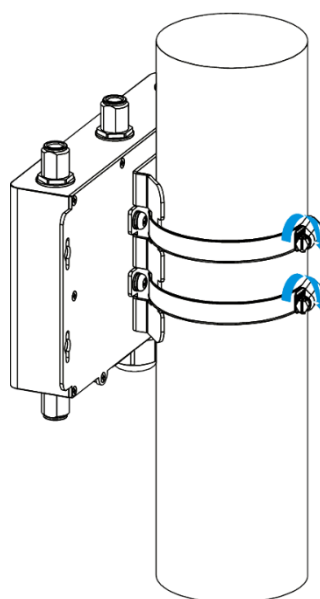
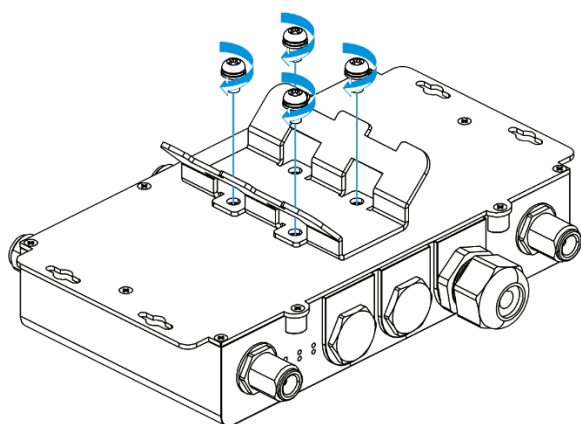


3. INSTALLATION

Fix the Gateway to the wall or to the bracket provided. Gateway must be vertical.
 There are two options for installing the Gateway:

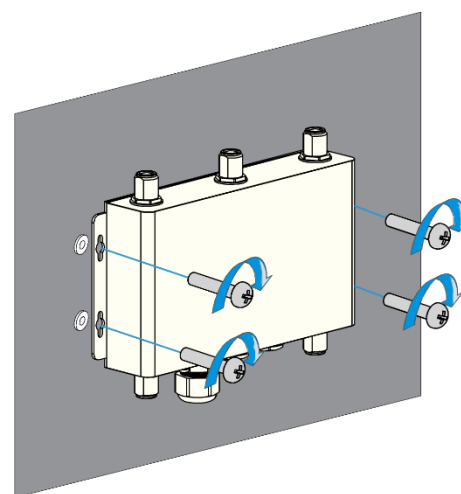
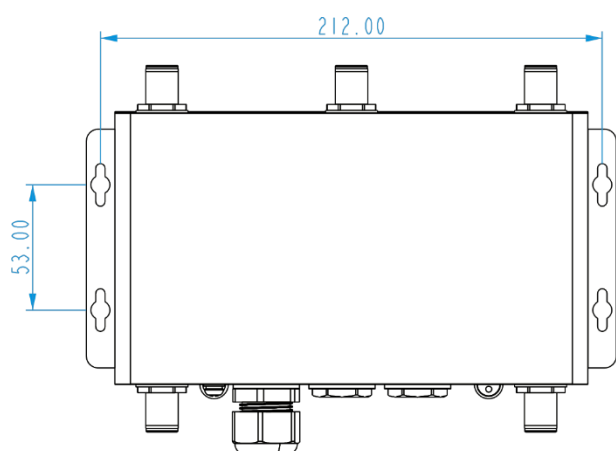
Pole Mounting

Fix the installation kit at the bottom of the device with four M5*8 screws. Slide the steel band clamps through the rectangular hole of the installation kit. Wrap the band clamps around the pole, lock them, and then tighten the clamps using a screwdriver.

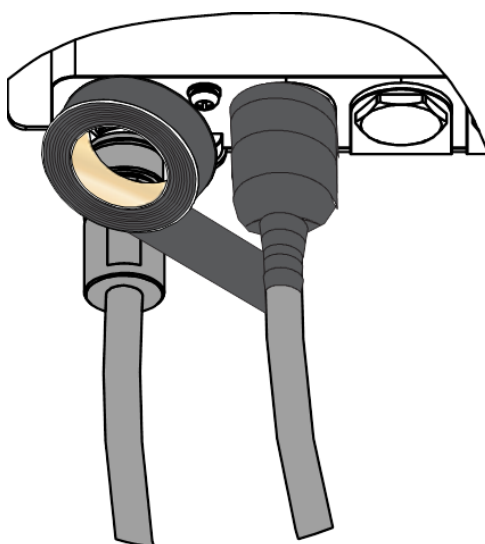


Wall Mounting

2. Use Ø5 mm drill head and drill 4 holes on the wall. Plug the screw anchors in the wall and using the tapping screws, attach the device to the wall.



For outdoor use, please check for watertightness. In particular, caps on non-used ports should be placed. In addition, you should add some PVC tape on Ethernet cable gland and the antenna connectors:



4. POWERING THE GATEWAY

Gateway must be powered by the PoE injector module. So connect ethernet cable on the PoE port of the injector and plug the injector to a standard electrical outlet. Please see LED indicator on the gateway to check if everything is working. The finished installation should look like:

